

## Question 1

1 kg of fish cost \$30.

Mrs Raju bought  $3\frac{2}{5}$  kg of fish.

How much did she pay?

## Question 2

A ribbon of 8 m is cut into 5 equal pieces.

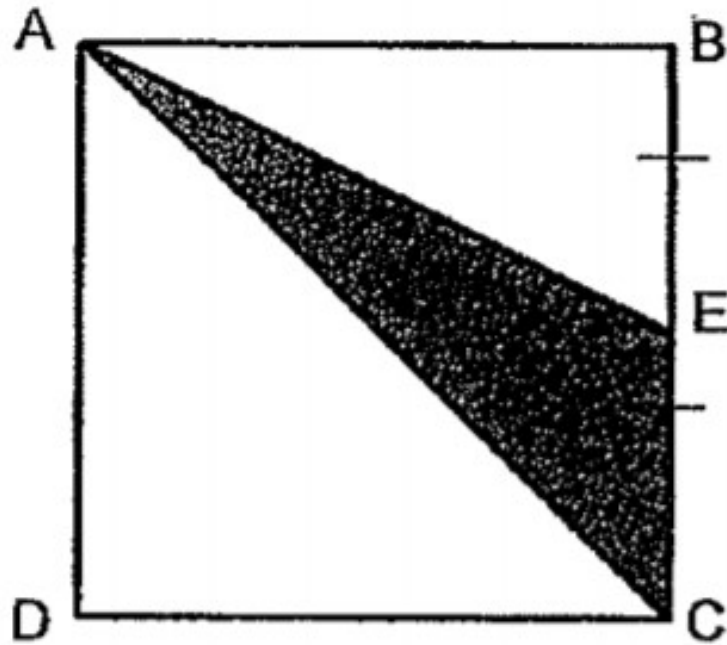
Find the length of each piece of ribbon.

Give your answer as a fraction in its simplest form.

### Question 3

ABCD is a square of area  $64 \text{ cm}^2$ .

Given that  $BE = EC$ , find the area of triangle ACE.



## Question 4

Zul had \$80. He saved \$28 and spent the rest.  
What percentage of his money did he spend?

## Question 5

$$80 - 60 \div (3 \times 4) = \underline{\hspace{2cm}}$$

## Question 6

A watch cost twice as much as a pair of shoes.  
Mr Lim bought a pair of shoes and two identical watches.  
He paid \$700 altogether.  
How much does each watch cost?



## Question 1

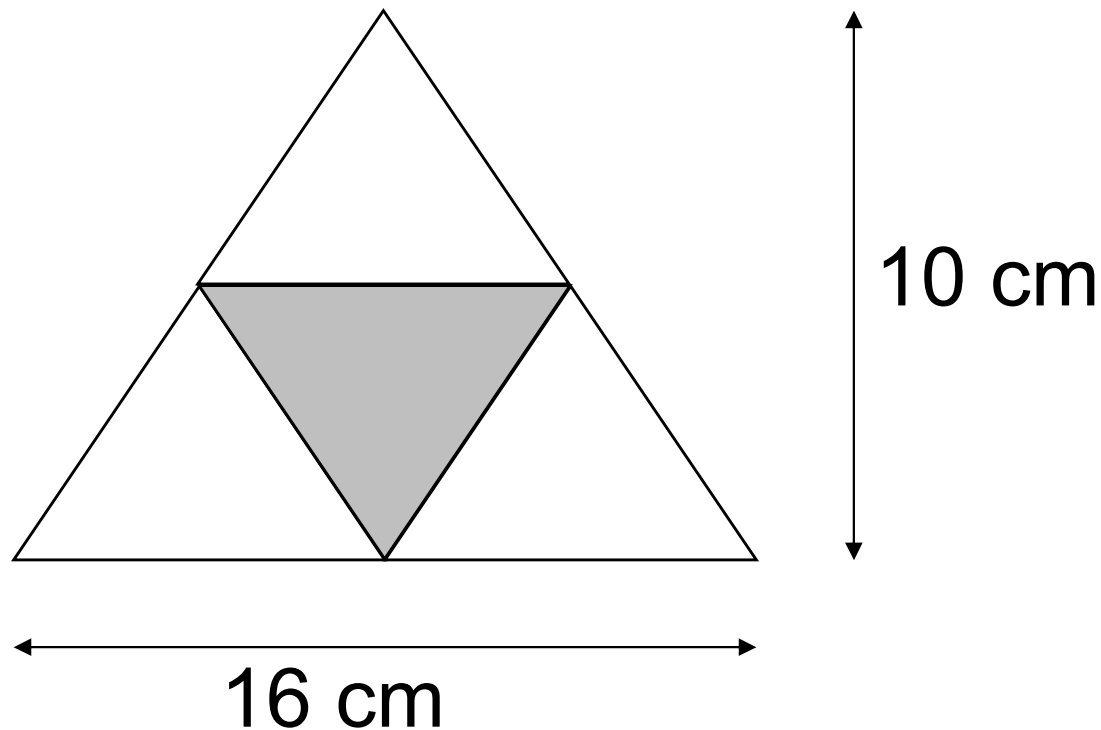
$$27\ 000 \div \underline{\hspace{2cm}} = 30$$

What is the missing number?



## Question 2

The figure below is made up of 4 identical triangles. Find the area of the shaded triangle.



### Question 3

Mr Lee has a 4 m wooden plank.

He wants to cut the plank into pieces of 30 cm.

What is the greatest possible number of pieces he can cut?

## Question 4

Write 0.7 as a percentage.

## Question 5

A wallet cost \$300 before GST.

What is the price of the wallet inclusive of 7% GST?

## Question 6

A cubical tank has a side of 20 cm.

It is  $\frac{3}{8}$ -filled with water.

How many litres of water are there in the tank?

## Question 7

James had some marbles.

After he lost  $\frac{4}{7}$  of his marbles, 90% of his remaining marbles were blue and the rest of the 18 marbles were green. How many marbles did he lose?



## Question 1

$$100 - (15 \times 4) + 2000 \div 40 = \underline{\hspace{2cm}}$$



## Question 2

Mdm Sharifah bought 15 m to give to her 6 students equally. How much ribbon did each student receive? Leave your answer as a mixed number in its simplest form.

### Question 3

There were  $3\ell$  of tea in a container. Ravi drank  $\frac{2}{5}\ell$  of the tea. How many litres of tea was left in the container? Give your answer as a decimal.

## Question 4

Write 9.08 as a fraction in its simplest form.

## Question 5

$\frac{3}{4}$  of Glenda's crayons is equal to  $\frac{5}{6}$  of Ray's crayons.

What is the ratio of the number of Ray's crayons to the total number of crayons they both have?

Give your answer in its simplest form.



## Question 1

20% of a number is 65. What is the number?

## Question 2

Ariel paid \$220 for a printer after a 12% discount.  
What was the original price of the printer?

## Question 3

The distance between the school and MRT station is 3.7 km. Johnny walks 500 m. How far more must he walk to reach the MRT station?



## Question 4

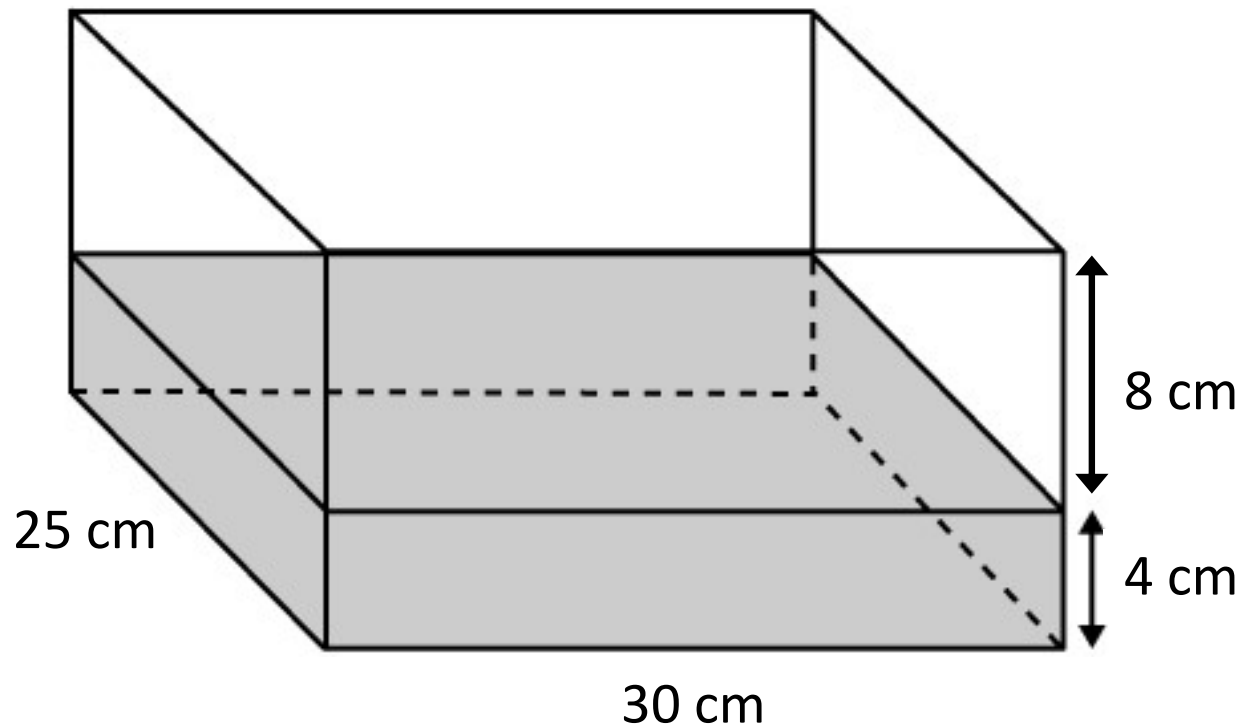
Mrs Chen has 6 kg of rice.

She cooks  $\frac{1}{4}$  kg of rice every day.

How much rice will she have left after a week?

## Question 5

How much more water is needed to fill the tank?  
Give your answer in litres.



## Question 6

There were some plates in a box.  $\frac{1}{7}$  of the plates were broken. The remaining plates were white and brown plates in the ratio of 5 : 7. There were 8 broken plates. How many white plates were there?



## Question 1

Lucas had 50 cards. He gave 12 cards to his brother. What percentage of his cards did he give to his brother?

## Question 2

Casey poured 12 litres of water into 5 tanks equally.  
How many litres of water is there in each tank?

## Question 3

Judy and Kate each made some cookies in the ratio of 1 : 3. Both of them sold 25% of their cookies. They had a total of 60 cookies left. How many cookies did Kate sell?

## Question 4

The length of a tank is 18 cm. Its breadth is  $\frac{2}{3}$  of its length. Its height is 50% of its breadth.  
What is the volume of the tank?



## Question 5

\_\_\_\_\_ hundreds  $\div$  60 = 700

What is the missing number?

## Question 6

Ella cooked  $3\frac{3}{4}$  litres of soup. Her family drank half of it. How much soup was left?

Leave your answer as a mixed number in its simplest form.

## Question 7

Desmond had \$600. He spent  $\frac{1}{4}$  of his money to buy a set of headphones and 20% of his remaining money to buy a pair of shoes.

What fraction of his money is he left with?

Leave your answer in its simplest form.



## Question 1

Minyi has a ball of string measuring 2 m.

She needs  $\frac{3}{8}$  m of string to tie a parcel.

She had to tie 4 such parcels.

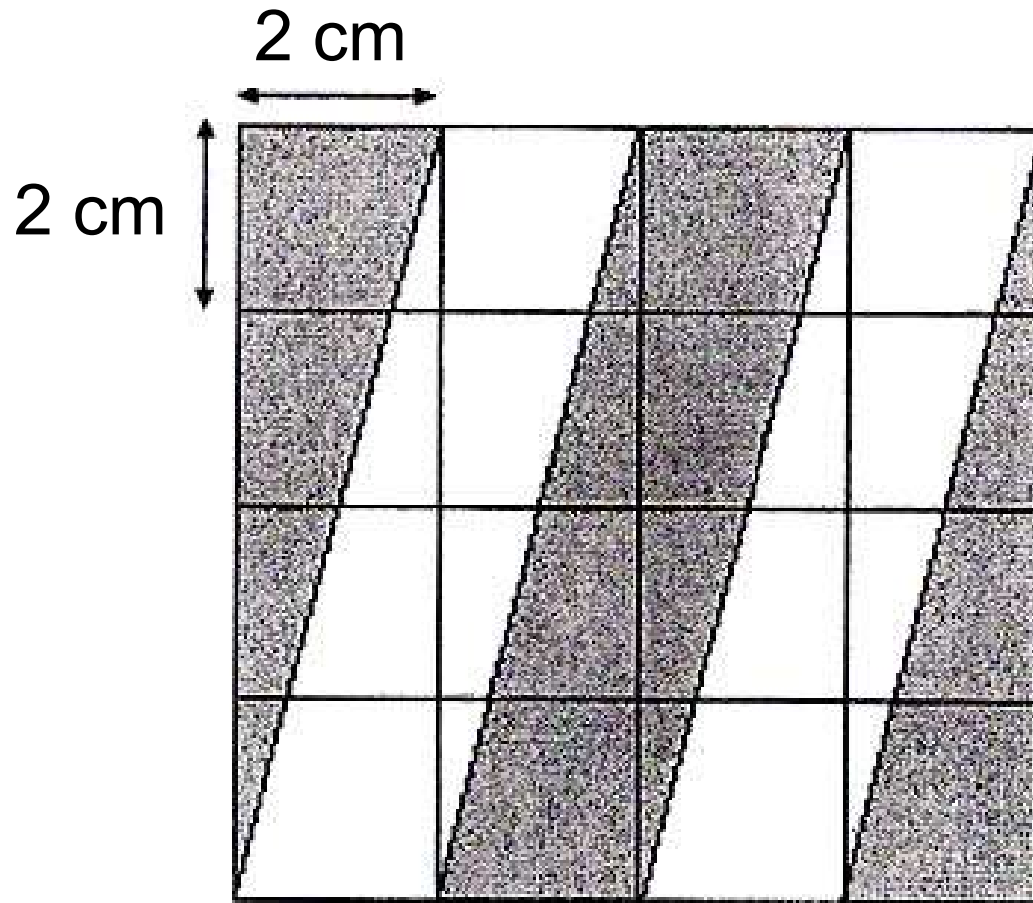
How much string will she have left after tying the 4 parcels?

## Question 2

Yong An had \$60. He spent 30% of it on lunch and 60% of the remainder on a book.  
How much did he pay for the book?

### Question 3

Find the area of the shaded part.



## Question 4

Bert is 12 years old. His father is thrice as old as he.  
What is the ratio of Bert's age to his father's age  
in 4 years' time?

Leave your answer in the simplest form.



## Question 5

$\frac{2}{5}$  of the cupcakes in a box are blueberry cupcakes . The remaining cupcakes are made up walnut cupcakes and chocolate cupcakes in the ratio of 5 : 1.

What is the percentage of walnut cupcakes in the box?

## Question 6

Mr Tan bought a book and a toy car for \$19.

Mr Ang bought 4 such books and 2 such toy cars for \$52.

How much does a toy car cost?